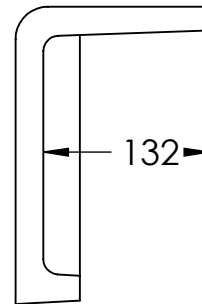
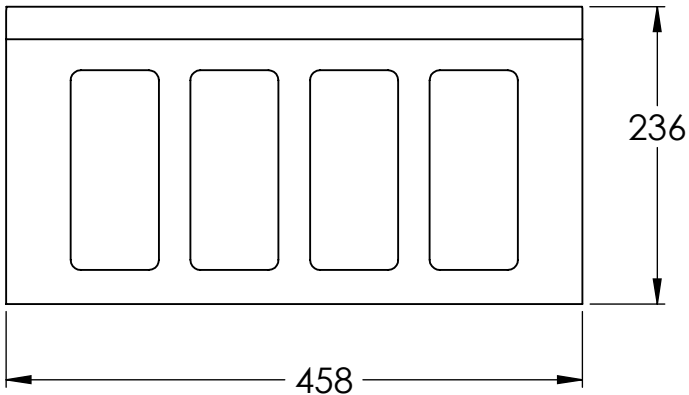
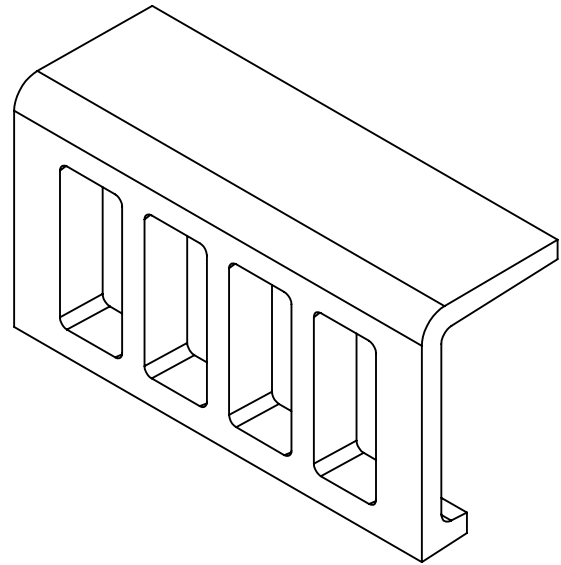
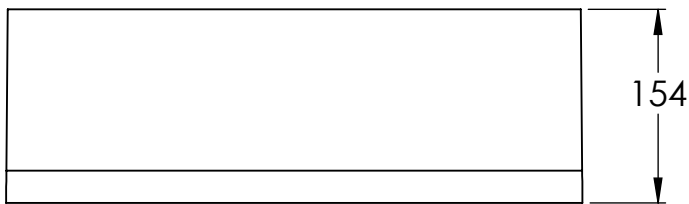


2

1

MATERIAL:  
GRAY CAST IRON TO ASTM A48  
CLASS 30B



NOTES:

- 1) CONFORMS TO CITY OF WINNIPEG
- 2) WEIGHT 25 KGS. ( 55 LBS.)
- 3) ALL DIMENSIONS ARE IN mm

**KAROH**

**KRMH.110.CG.04 4 HOLE CURB  
GRATE**

**IDEAL SPECIFIED PRODUCTS**

45 SYLVAN WAY.  
WINNIPEG (MB) R2R 2B9  
CANADA

DESIGNED BY: AG

DESIGN DATE: DEC 6, 2019

REFERENCE DRAWING:

DRAWN BY: AG

REV. DATE: DEC 31 / 2020

CITY OF WINNIPEG WATER AND  
WASTE WASTE DEPT

CHECKED BY: WF

REV. NO: 1

DO NOT SCALE DRAWING

2

1

B

B

A

A