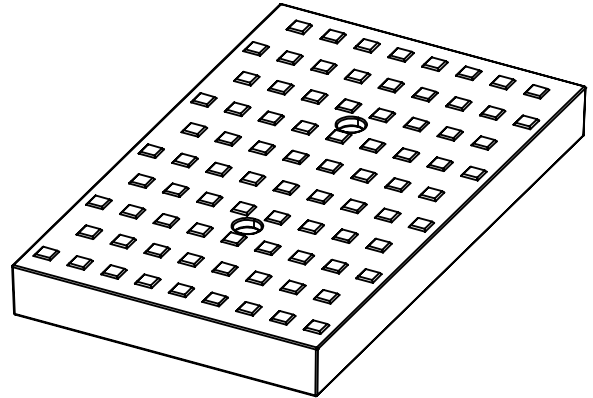
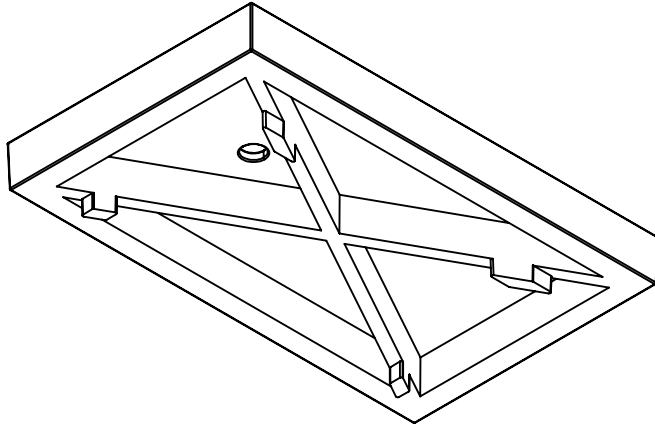


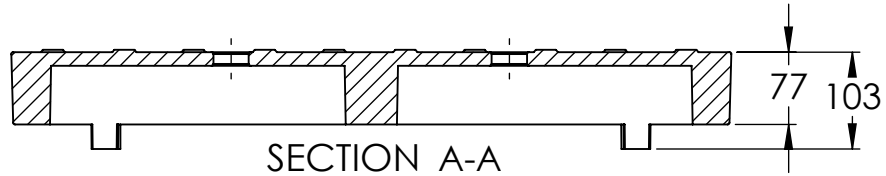
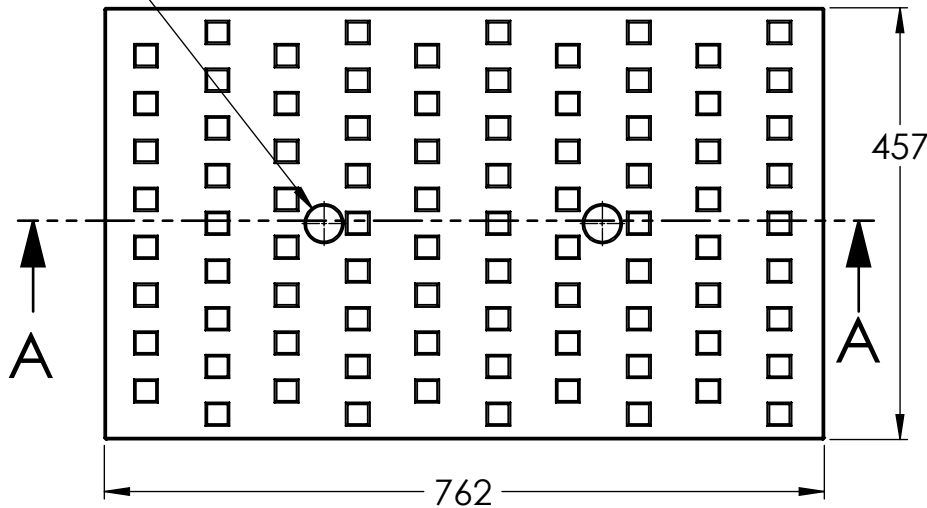
2

1

MATERIAL:  
GRAY CAST IRON TO ASTM A48  
CLASS 30B



Ø38 THRU  
HOLE 2 PL.



SECTION A-A

NOTES:

- 1) CONFORMS TO CITY OF WINNIPEG AP-020
- 2) ALL DIMENSIONS ARE IN mm
- 3) WEIGHT 93 KG ( 204.75 ) LBS

**KAROH**

**KRMH.020.CIBC CURB INLET BOX COVER**

**IDEAL SPECIFIED PRODUCTS**

45 SYLVAN WAY,  
WINNIPEG (MB) R2R 2B9  
CANADA

DESIGNED BY: AG

DESIGN DATE: DEC 6, 2019

REFERENCE DRAWING:

DRAWN BY: AG

REV. DATE: DEC 31 / 2020

CITY OF WINNIPEG WATER AND  
WASTE WASTE DEPT  
DRAWING NO: AP-020

CHECKED BY: WF

REV. NO: 1

DO NOT SCALE DRAWING

2

1