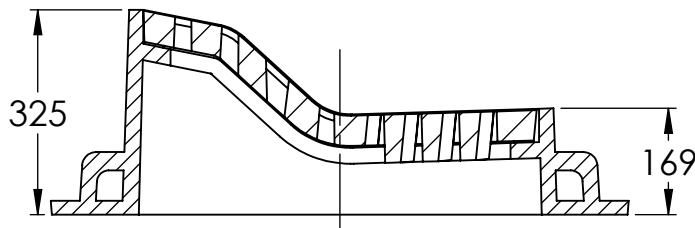
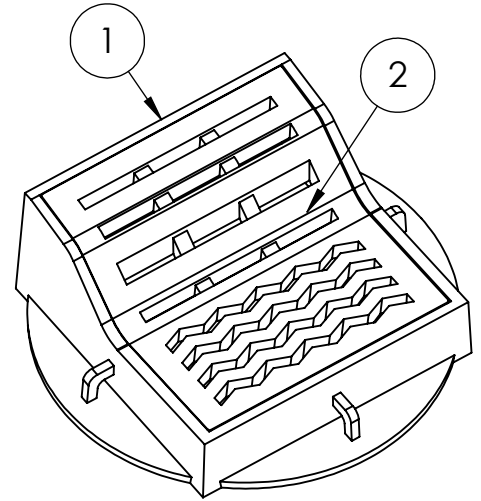
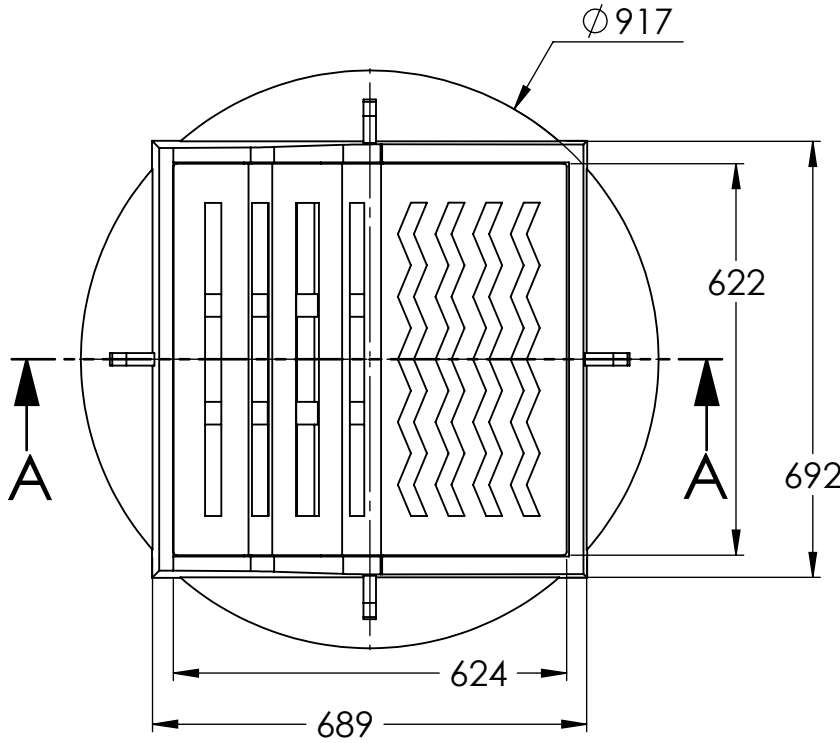


2

1

ITEM NO.	PART NUMBER	DESCRIPTION	QTY.
1	KRMH.018.MBCF	MODIFIED BARRIER CURB FRAME	1
2	KRMH.019.MBCG	MODIFIED BARRIER CURB GRATE	1

MATERIAL:  
GRAY CAST IRON TO ASTM A48  
CLASS 30B



SECTION A-A

NOTES:

- 1) CONFORMS TO CITY OF WINNIPEG
- 2) ALL DIMENSIONS ARE IN mm

**KAROH**

**KR MODIFIED BARRIER CURB ASSY.**

**IDEAL SPECIFIED PRODUCTS**

45 SYLVAN WAY.  
WINNIPEG (MB) R2R 2B9  
CANADA

DESIGNED BY: AG

DESIGN DATE: DEC 6, 2019

REFERENCE DRAWING:

DRAWN BY: AG

REV. DATE: DEC 31 / 2020

CITY OF WINNIPEG WATER AND  
WASTE WASTE DEPT  
DRAWING NO: AP-018, AP-019

CHECKED BY: WF

REV. NO: 1

DO NOT SCALE DRAWING

2

1