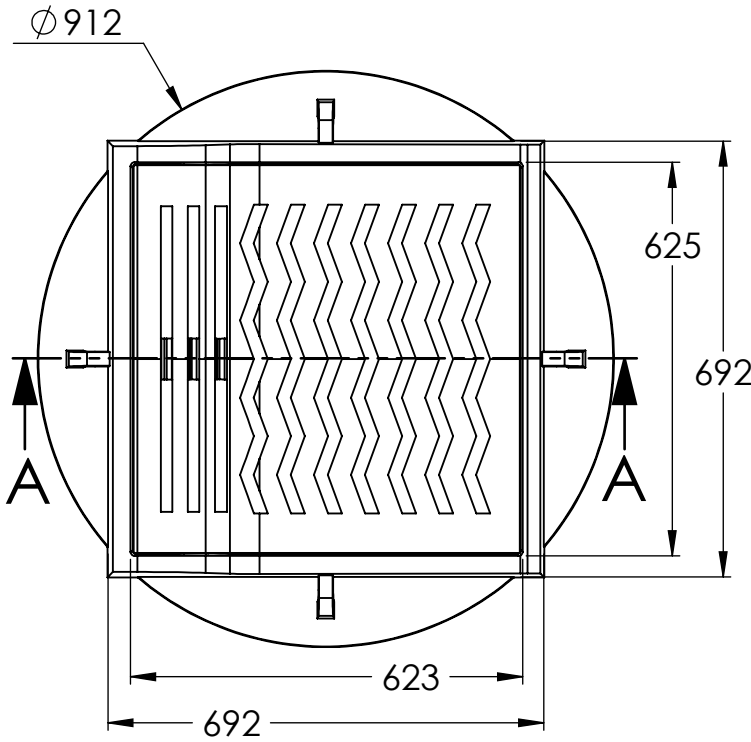
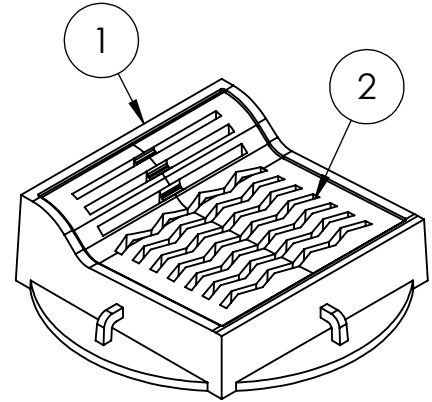
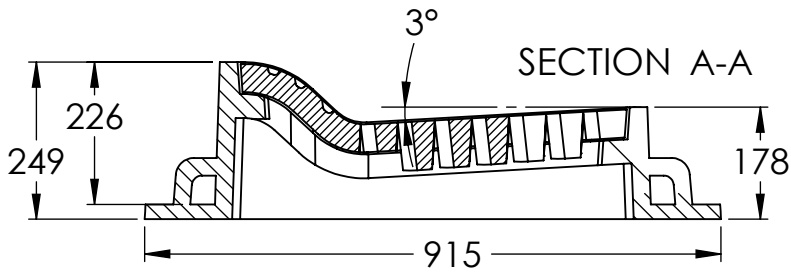


2

1

ITEM NO.	PART NUMBER	DESCRIPTION	QTY.
1	KRMH.015.MCF	MOUNTABLE CURB FRAME	1
2	KRMH.016.MCG	MOUNTABLE CRUB GRATE	1

MATERIAL:
GRAY CAST IRON TO ASTM A48
CLASS 30B



- NOTES:
 1) CONFORMS TO CITY OF WINNIPEG
 2) ALL DIMENSIONS ARE IN mm
 3) WEIGHT 263.5 KGS, 580.9 LBS

KAROH

KR ROLL FACE CURB SQ. CATCH BASIN ASSY.

IDEAL SPECIFIED PRODUCTS

45 SYLVAN WAY,
WINNIPEG (MB) R2R 2B9
CANADA

DESIGNED BY: AG

DESIGN DATE: DEC 6, 2019

REFERENCE DRAWING:

DRAWN BY: AG

REV. DATE: DEC 31 / 2020

CITY OF WINNIPEG WATER AND
WASTE WASTE DEPT
DRAWING NO: AP-016

CHECKED BY: WF

REV. NO: 1

DO NOT SCALE DRAWING

2

1