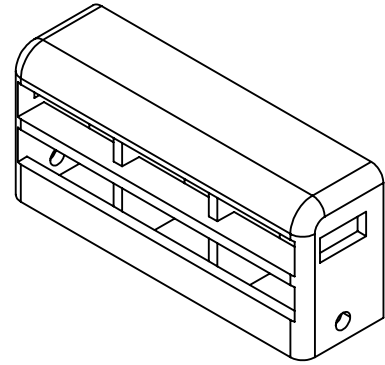
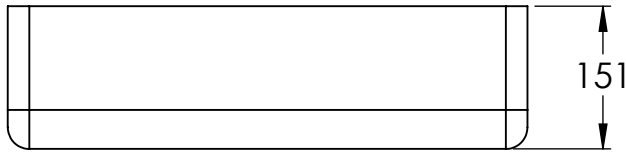


2

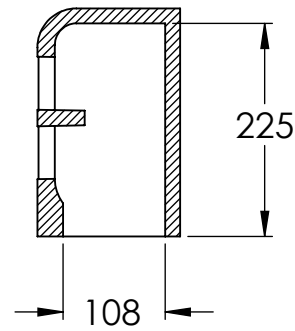
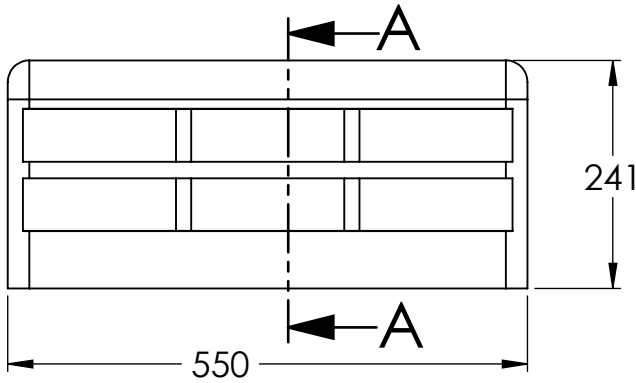
1

MATERIAL:
GRAY CAST IRON TO ASTM A48
CLASS 30B

B



B



SECTION A-A

A

- NOTES:
 1) CONFORMS TO CITY OF WINNIPEG AP-011
 2) WEIGHT 45 KGS. (100 LBS.)
 3) ALL DIMENSIONS ARE IN mm

A

KAROH

**KRMH.011.BCF.SI SQUARE CATCH BASIN BARRIER
CURB FRAME SIDE INLET**

IDEAL SPECIFIED PRODUCTS

45 SYLVAN WAY.
WINNIPEG (MB) R2R 2B9
CANADA

DESIGNED BY: AG

DESIGN DATE: DEC 6, 2019

REFERENCE DRAWING:

DRAWN BY: AG

REV. DATE: DEC 31 / 2020

CITY OF WINNIPEG WATER AND
WASTE WASTE DEPT
DRAWING NO: AP-011

CHECKED BY: WF

REV. NO: 1

DO NOT SCALE DRAWING

2

1