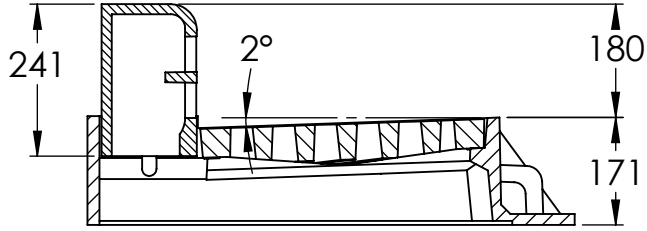


2

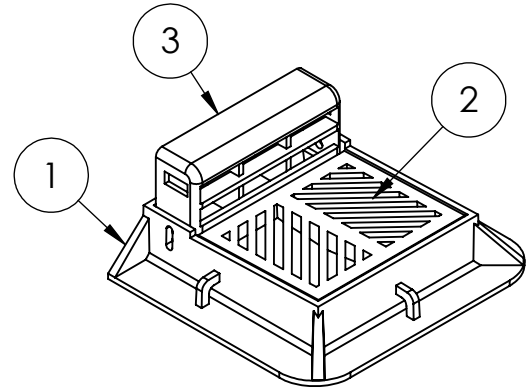
1

ITEM NO.	PART NUMBER	DESCRIPTION	QTY.
1	KRMH.011.BCF	SQ CATCH BASIN BARRIER CURB FRAME	1
2	KRMH.012.BCG	SQ CATCH BASIN BARRIER CURB GRATE	1
3	KRMH.011.BCF.SI	SQ CATCH BASIN BARRIER CURB FRAME SIDE INLET	1

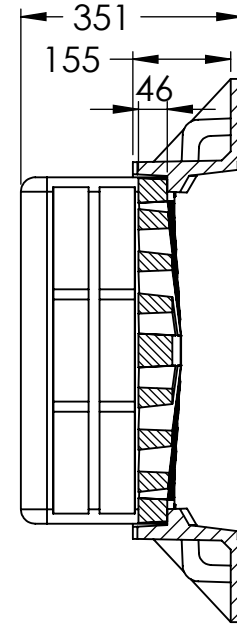
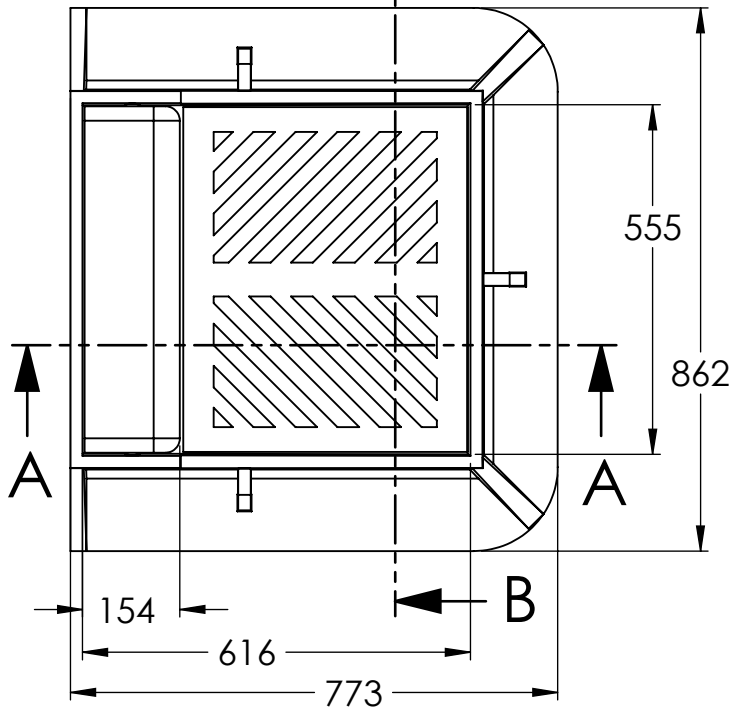
MATERIAL:
GRAY CAST IRON TO ASTM A48
CLASS 30B



SECTION A-A



TOP VIEW



SECTION B-B

NOTES:

- 1) CONFORMS TO CITY OF WINNIPEG AP-011
- 2) ALL DIMENSIONS ARE IN mm
- 3) WEIGHT 207.4 KGS

KAROH

KR011 SQUARE CATCH BASIN W/SIDE INLET ASSY.

IDEAL SPECIFIED PRODUCTS

45 SYLVAN WAY.
WINNIPEG (MB) R2R 2B9
CANADA

DESIGNED BY: AG

DESIGN DATE: DEC 6, 2019

REFERENCE DRAWING:

DRAWN BY: AG

REV. DATE: DEC 31 / 2020

CITY OF WINNIPEG WATER AND
WASTE WASTE DEPT
DRAWING NO: AP-011

CHECKED BY: WF

REV. NO: 1

DO NOT SCALE DRAWING

2

1