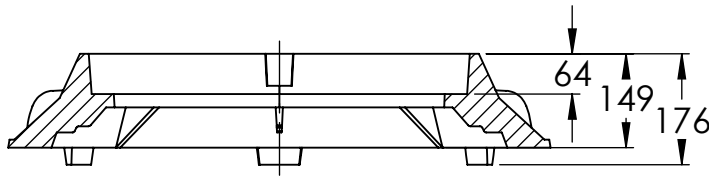
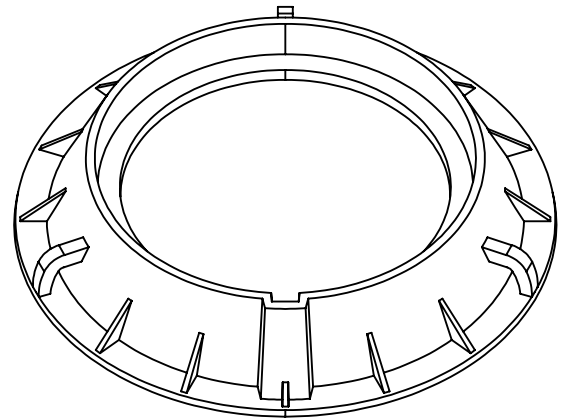
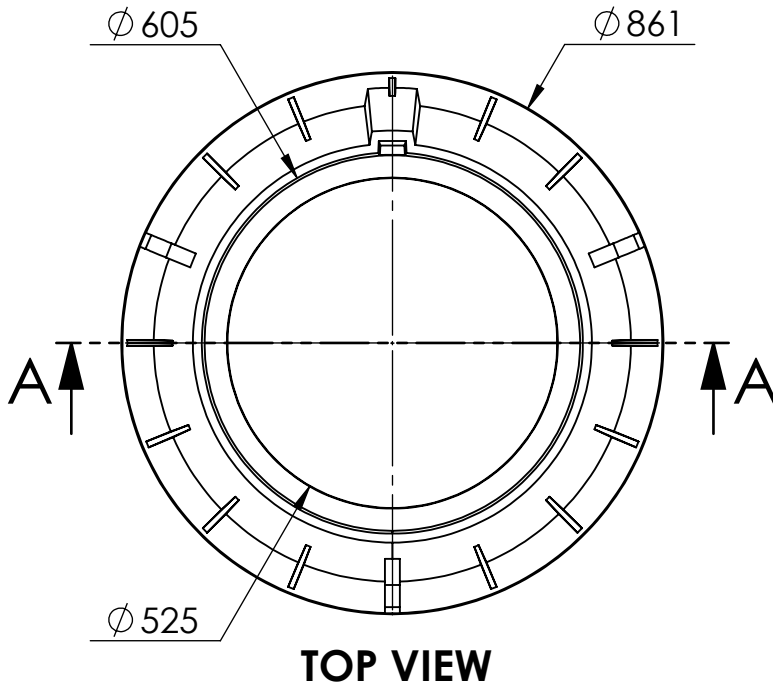


2

1

MATERIAL:
GRAY CAST IRON TO ASTM A48
CLASS 30B



SECTION A-A

- NOTES:
 1) CONFORMS TO CITY OF WINNIPEG AP-006
 2) WEIGHT 92.25KGS. 203.4 (LBS.)
 3) ALL DIMENSIONS IN mm

KAROH

**KRMH.006.MHF.R.06 ROUND MANHOLE
6" FRAME**

IDEAL SPECIFIED PRODUCTS

45 SYLVAN WAY.
WINNIPEG (MB) R2R 2B9
CANADA

DESIGNED BY: AG

DESIGN DATE: DEC 6, 2019

REFERENCE DRAWING:

DRAWN BY: AG

REV. DATE: DEC 31/2021

CITY OF WINNIPEG WATER AND
WASTE WASTE DEPT
DRAWING NO: AP-006

CHECKED BY: WF

REV. NO: 1

DO NOT SCALE DRAWING

2

1