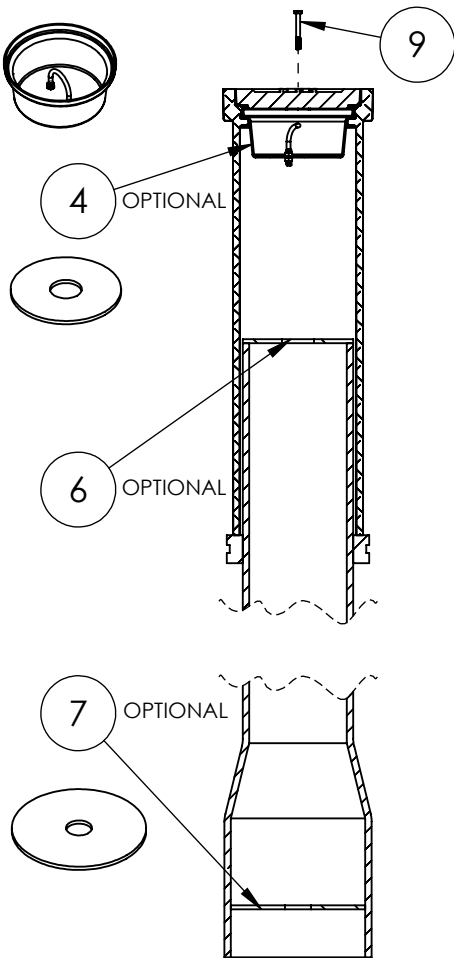
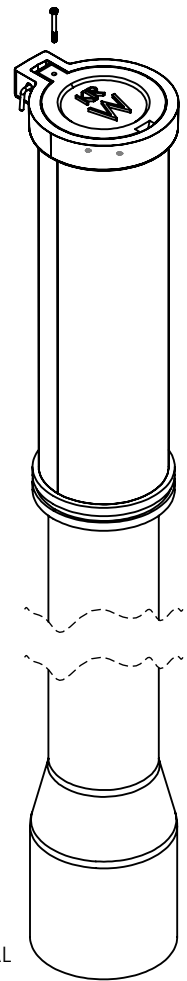
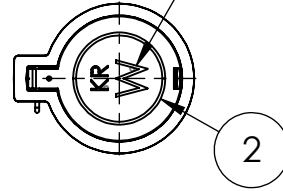
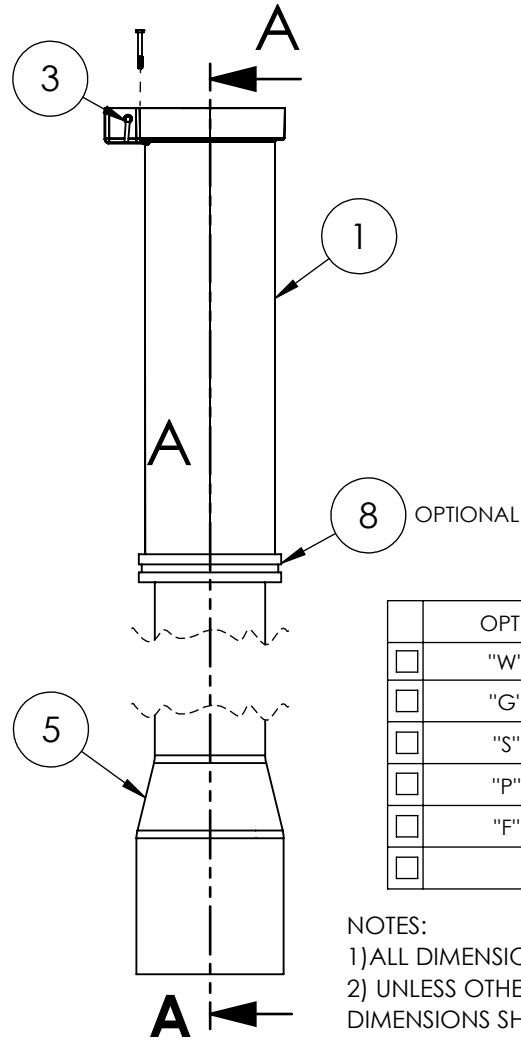


ITEM NO.	PART NUMBER	DESCRIPTION	QTY.	MATERIAL
1	KR.001.VB.L.UC	VALVE BOX UPPER CASING	1	ASTM A536 65-45-12 DUCTILE IRON
2	KR.001.VB.LLW or KR.001.VB.LLS	"W" or "S" VALVE BOX LID	1	ASTM A536 65-45-12 DUCTILE IRON
3	KR.025.304.06	1/4" X 6" HINGE PIN	1	AISI 304SS
4	KR.001.VB.SC	STONE CATCHER	1	PLASTIC
5	KR.001.VB.C9.BRP	BASE RISER PIPE	1	PVC
6	KR.001.VB.SD	STONE DISC	1	STEEL
7	KR.001.VB.CD.PE	CENTERING DISC	1	PLASTIC
8	KR.001.VB.AR	ADJUSTMENT RING	1	RUBBER
9	BT.25.0200.304	1/4" UNC X 2-1/4" SS HEX BOLT	1	304 S.S.

OPT. MARKING
W, G, S, P, F



SECTION A-A



SECTION A-A

	OPTIONS	ITEM NO.
<input type="checkbox"/>	"W" LID	KR001LLW
<input type="checkbox"/>	"G" LID	KR001LLG
<input type="checkbox"/>	"S" LID	KR001LLS
<input type="checkbox"/>	"P" LID	KR001LLP
<input type="checkbox"/>	"F" LID	KR001LLF
<input type="checkbox"/>		

NOTES:
1) ALL DIMENSIONS IN MILLIMETERS,
2) UNLESS OTHERWISE SPECIFIED DIMENSIONS SHALL HAVE A TOLERANCE OF +/- 2mm AND AN ADDITIONAL +/- 5mm PER METER OF DIMENSION

NOTES: UPPER CASING AND LID FINISH IS BLACK BITUMINOUS ASPHALT CORROSION RESISTANT COATING.

KAROH

KR001LL LOCKING LID VALVE BOX- CITY

IDEAL SPECIFIED PRODUCTS

45 SYLVAN WAY
WINNIPEG (MB) R2R 2B9
CANADA

DESIGNED BY: S AG

DESIGN DATE: DEC 06 / 2019

REFERENCE DRAWING:

DRAWN BY: AG

REV. DATE: DEC 31 / 2020

CITY OF WINNIPEG WATER AND WASTE WASTE DEPT
DRAWING NO: AP-001

CHECKED BY: WF

REV. NO: 1

DO NOT SCALE DRAWING