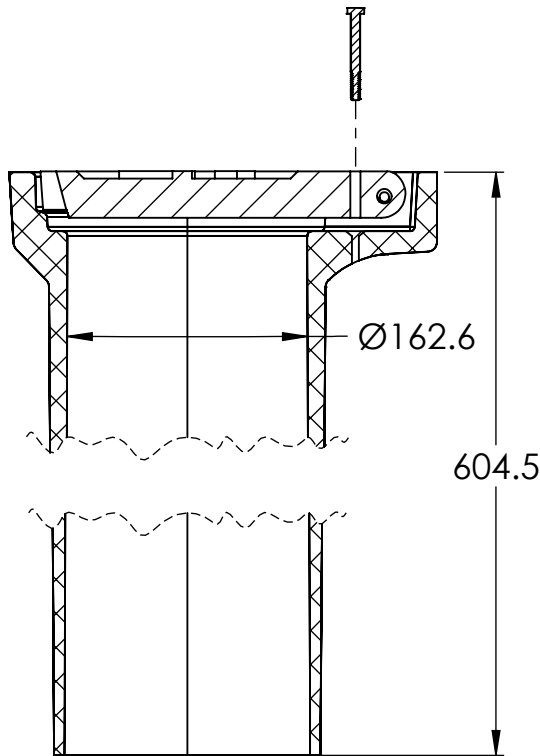
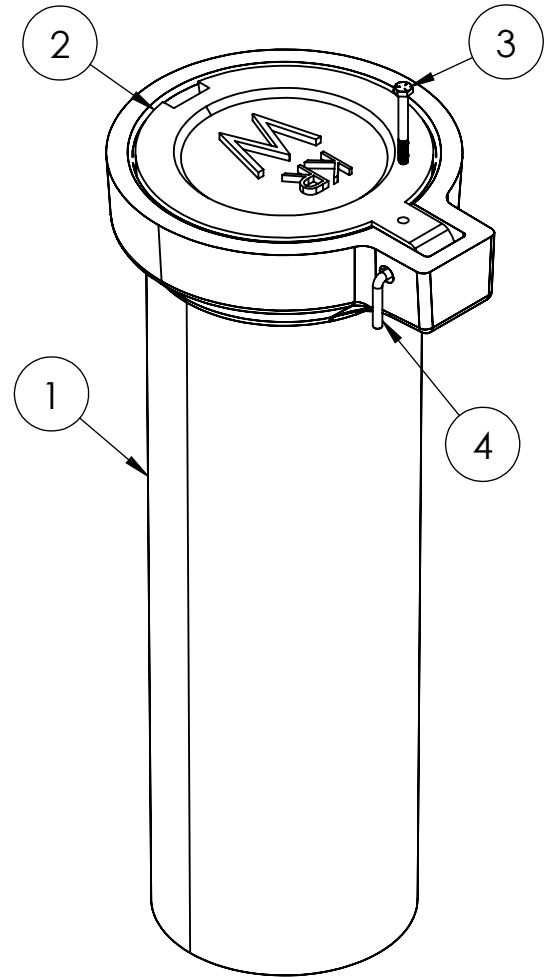
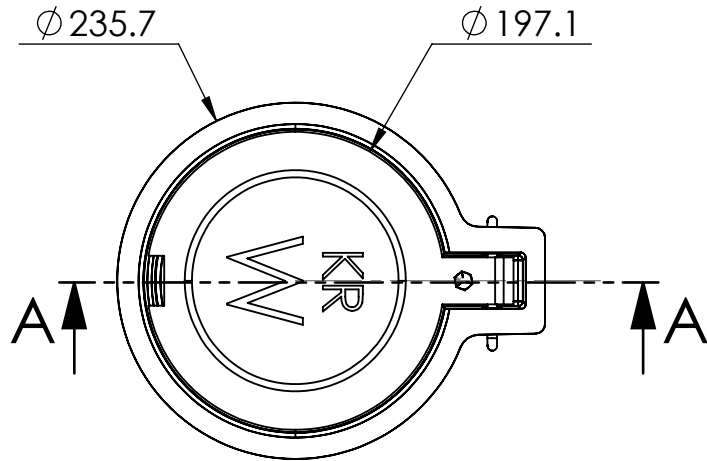


2

1

ITEM NO.	PART NUMBER	DESCRIPTION	QTY.	MATERIAL
1	KR.001C.VB.L.UC	LOCKING VALVE BOX UPPER CASTING	1	ASTM A536 65-45 12 DUCTILE IRON
2	KR.001VB.LLW or KR.001.VB.LLS	LOCKING "S" LID FOR KR001/C VALVE BOX	1	ASTM A536 65-45 12 DUCTILE IRON
3	BT.25.0200.304	1/4" UNC X 2-1/4" SS HEX BOLT	1	304 S.S.
4	KR.025.304.06	1/4" X 6" 304 SS HINGE PIN	1	304 S.S.



SECTION A-A

MATERIAL ASTM A536 65-45 12 DUCTILE IRON, Weight 34 KGS

KAROH

KR.001C.VB.LUC.WL
KR.001C.VB.LUC.SL

LOCKING VALVE BOX UPPER CASTING C/W "W" LID
LOCKING VALVE BOX UPPER CASTING C/W "S" LID

IDEAL SPECIFIED PRODUCTS

45 SYLVAN WAY
WINNIPEG (MB) R2R 2B9
CANADA

DESIGNED BY: AG	DESIGN DATE: DEC. 06, 2019.
DRAWN BY: AG	REV. DATE: DEC. 09, 2020.
CHECKED BY: WF	REV. NO: 1
DO NOT SCALE DRAWING	

REFERENCE DRAWING:
MANITOBA WATER SERVICE BOARD
PART 3 VALVE BOX

2

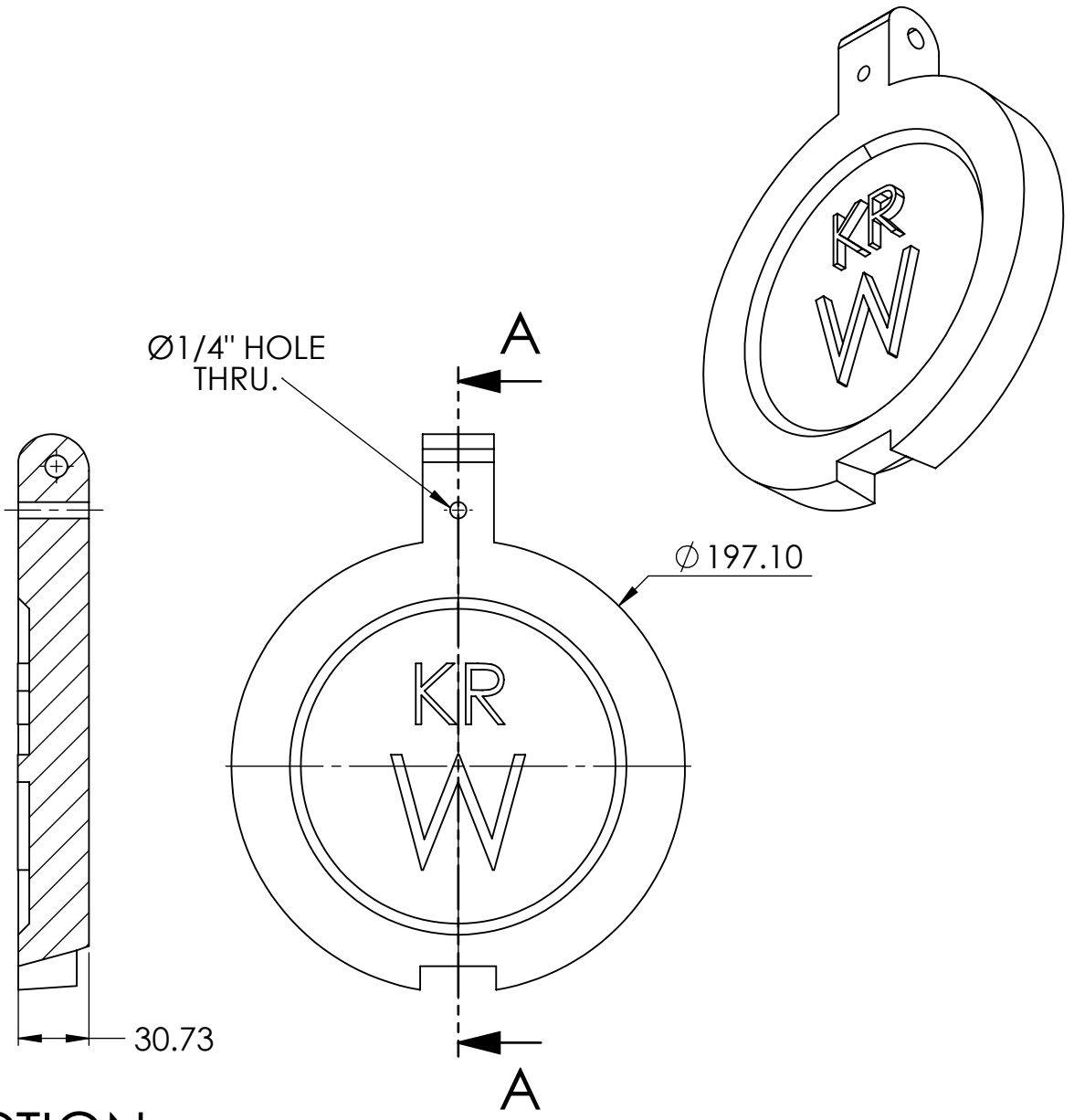
1

2

1

B

B



SECTION A-A

SCALE 1 : 3

MATERIAL: A536 65 45 12 DUCTILE IRON, WEIGHT 5.93KGS

A

A

VALVE BOX LID "S"	KR.001.VB.LLS	LOCKING " S" LID FOR KR001/C VALVE BOX
VALVE BOX LID "W"	KR.001.VB.LLW	LOCKING " W" LID FOR KR001/C VALVE BOX

KAROH

KR LOCKING LID

IDEAL SPECIFIED PRODUCTS

45 SYLVAN WAY
WINNIPEG (MB) R2R 2B9
CANADA

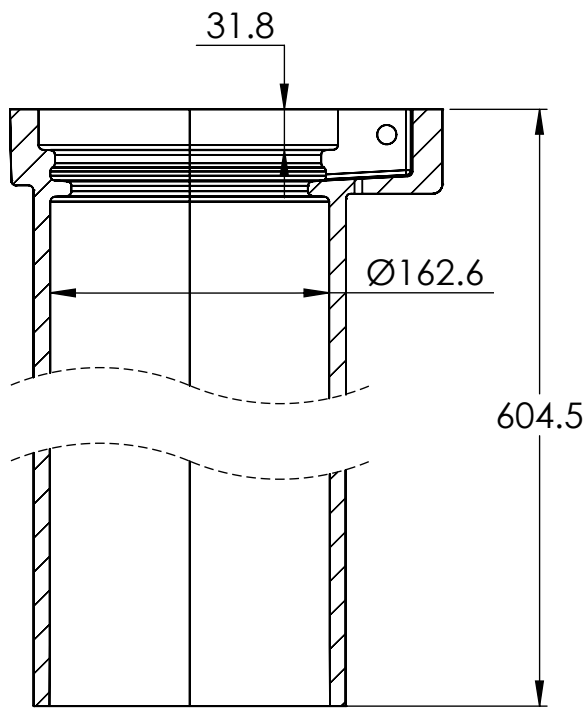
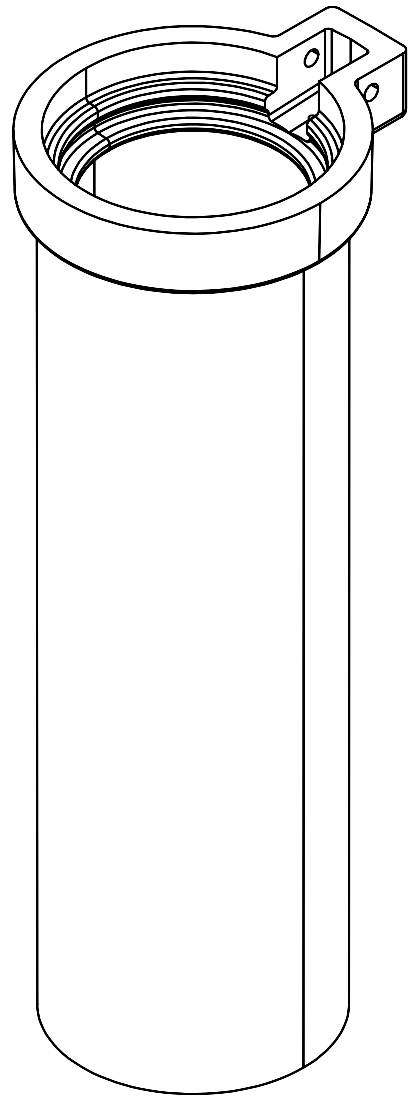
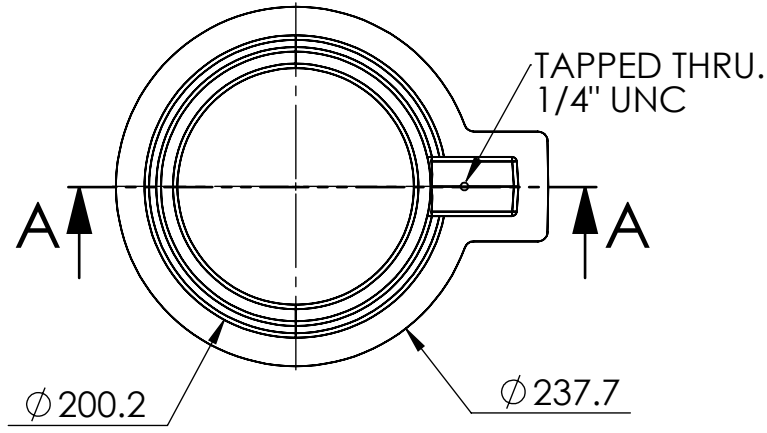
DESIGNED BY: AG	DESIGN DATE: DEC. 06, 2019.	REFERENCE DRAWING: MANITOBA WATER SERVICE BOARD PART 3 VALVE BOX
DRAWN BY: AG	REV. DATE: DEC. 09, 2020.	
CHECKED BY: WF	REV. NO: 1	
DO NOT SCALE DRAWING		

2

1

2

1



SECTION A-A

MATERIAL: A536 65 45 12
DUCTILE IRON, WEIGHT 27.7KGS

KR.001C. VB. L. UC.

LOCKING VALVE BOX
UPPER CASTING NO LID

KAROH

KR LOCKING VALVE BOX

IDEAL SPECIFIED PRODUCTS

45 SYLVAN WAY
WINNIPEG (MB) R2R 2B9
CANADA

DESIGNED BY: AG	DESIGN DATE: DEC. 06, 2019.
DRAWN BY: AG	REV. DATE: DEC 09, 2020.
CHECKED BY: WF	REV. NO: 1
DO NOT SCALE DRAWING	

REFERENCE DRAWING:
MANITOBA WATER SERVICE BOARD
PART 3 VALVE BOX

2

1